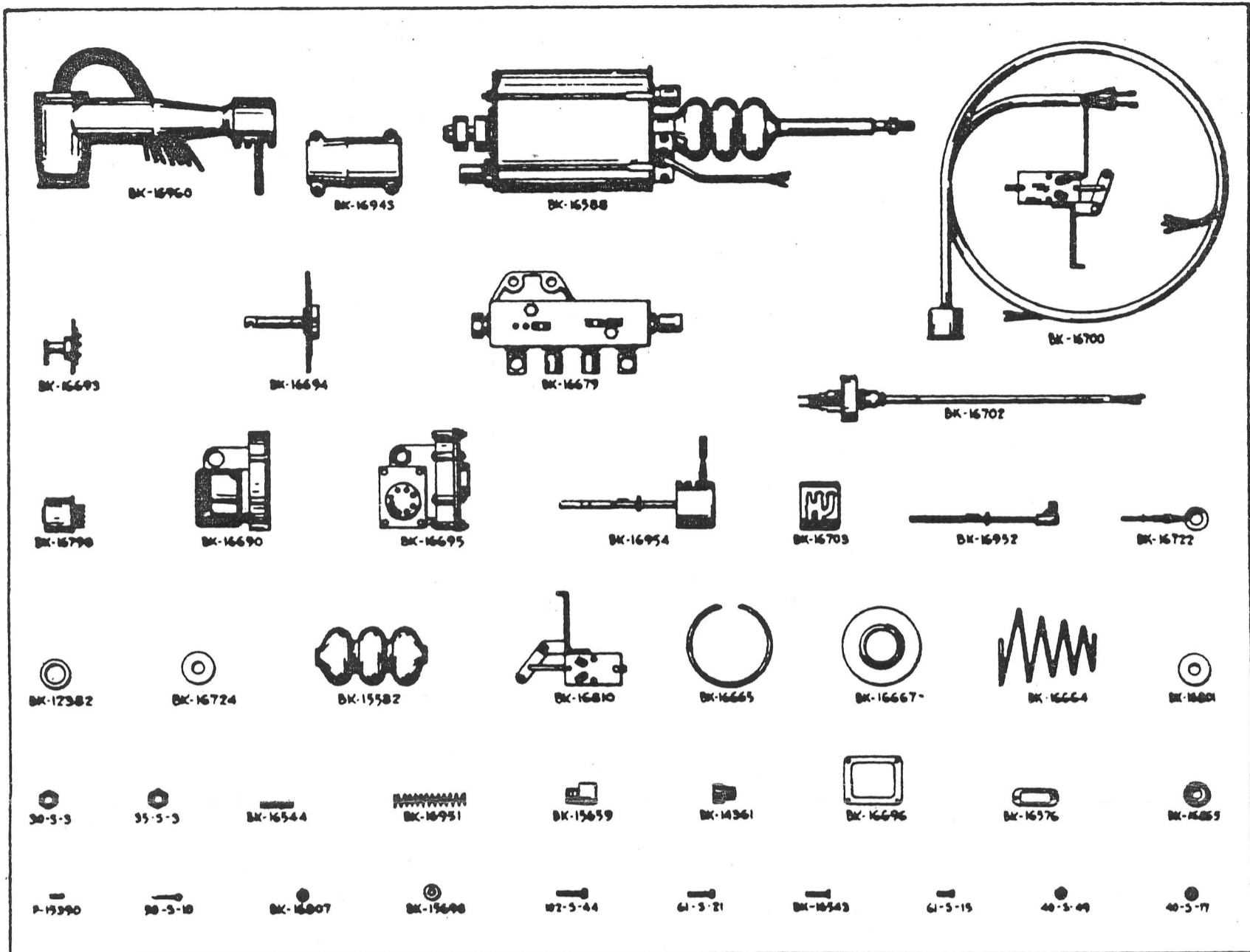


**ILLUSTRATED SERVICE PARTS LIST  
BENDIX FINGER TIP GEAR SHIFT  
AS USED ON CORD 1936 MODEL**



Part No.	Description
<b>BK-16728</b>	Assembly Gear Shift Group (Not Illus)
<b>30-S-3</b>	Nut 3/8" -----
<b>35-S-3</b>	Nut 3/8" -----
<b>40-S-17</b>	Lockwasher No. 6 -----
<b>40-S-49</b>	Lockwasher No. 10 -----
<b>50-S-10</b>	Cotter Pin 5/16"x7/8" -----
<b>61-S-15</b>	Screw No. 6x3/8" -----
<b>61-S-21</b>	Screw No. 6x1" -----
<b>102-S-44</b>	Fillister Head Screw -----
<b>BK-12382</b>	Seal Lock -----
<b>BK-14361</b>	Weatherhead Fitting -----
<b>P-15390</b>	Cotter Pin -----
<b>BK-15582</b>	Piston Rod Guard -----
<b>BK-15659</b>	Weatherhead Fitting -----
<b>BK-15698</b>	Stop Washer -----
<b>BK-16543</b>	Machine Screw -----
<b>BK-16544</b>	Selector Lever Spring -----
<b>BK-16576</b>	Gasket -----
<b>BK-16588</b>	Gear Shift Cylinder Assembly -----
<b>BK-16664</b>	Spring -----
<b>BK-16665</b>	Snap Ring -----
<b>BK-16667</b>	Spring Retainer -----

Part No.	Description
<b>BK-16679</b>	Selector Valve Assy. -----
<b>BK-16690</b>	Diaphragm Housing & Bushing Assy. -----
<b>BK-16693</b>	Interlock Switch -----
<b>BK-16694</b>	Diaphragm Assembly -----
<b>BK-16695</b>	Dia. Cyl. & Interlock Switch Assy. --
<b>BK-16696</b>	Gasket -----
<b>BK-16700</b>	Lower Harness Assembly -----
<b>BK-16702</b>	Neutral Switch & Harness Assembly. -----
<b>BK-16703</b>	Selector Switch Segment -----
<b>BK-16722</b>	Selector Lever Assembly -----
<b>BK-16724</b>	Cylinder Mounting Block -----
<b>BK-16798</b>	Male Harness Jack -----
<b>BK-16801</b>	Washer -----
<b>BK-16807</b>	Washer -----
<b>BK-16810</b>	Off and On Switch -----
<b>BK-16865</b>	Shaft Seal -----
<b>BK-16943</b>	Selector Switch Cap -----
<b>BK-16951</b>	Return Spring -----
<b>BK-16952</b>	Switch Shaft Assembly -----
<b>BK-16954</b>	Lever & Segment Switch Shaft -----
<b>BK-16960</b>	Upper Selector Switch & Harness Assembly -----